

The logo for Cantaluipi Lighting features the brand name in a white, elegant script font. To the left of the 'C' is a stylized icon consisting of three horizontal lines of varying lengths, resembling a light fixture or a signal. Below the brand name, the word 'LIGHTING' is written in a smaller, gold-colored, all-caps sans-serif font. The background of the entire page is dark with a large, glowing, golden circular light effect on the left side, creating a sense of depth and luxury.

Cantaluipi[®]
LIGHTING

LIMITED EDITION

2012

THE ITALIAN ART OF YACHT LIGHTING

I wish to thank
Architect Cristiano Gatto
for the design of the LIMITED EDITION product range
and his Team for planning and
coordinating the development of its execution.

Devoce to life





Cantalupi[®]
LIGHTING


Dear customer,

This product range called LIMITED EDITION has been realised thanks to our past experience, the cutting-edge technology and with the use of raw materials combined to the great ability and passion of the Tuscan craftsmanship.

Best regards

Cantalupi[®]
LIGHTING

THE ITALIAN ART OF YACHT LIGHTING



THE WORLD WILL END
WHEN MAN CEASES TO CREATE
ART, BEAUTY AND LIGHT

B. C.





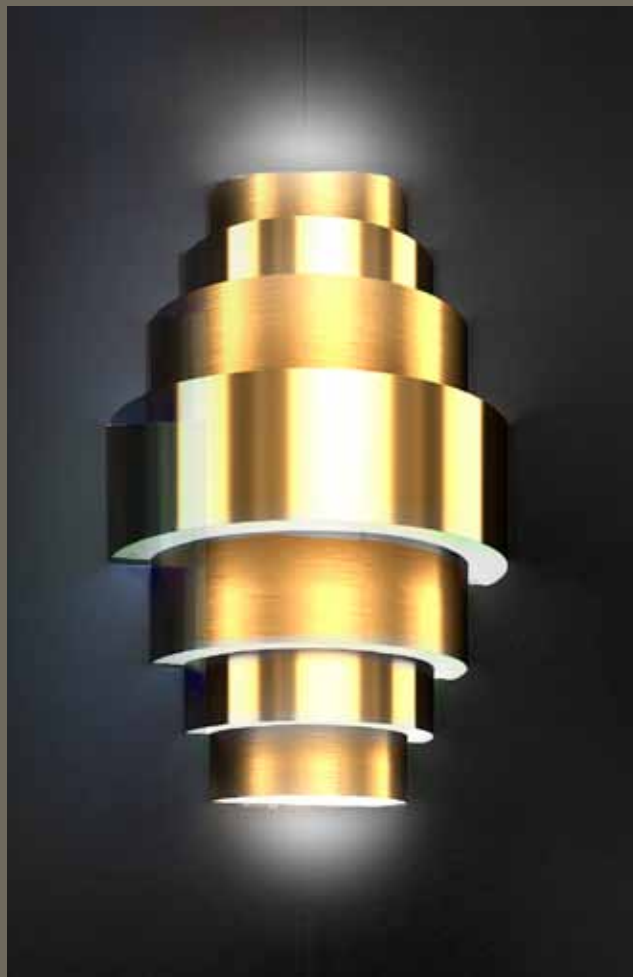
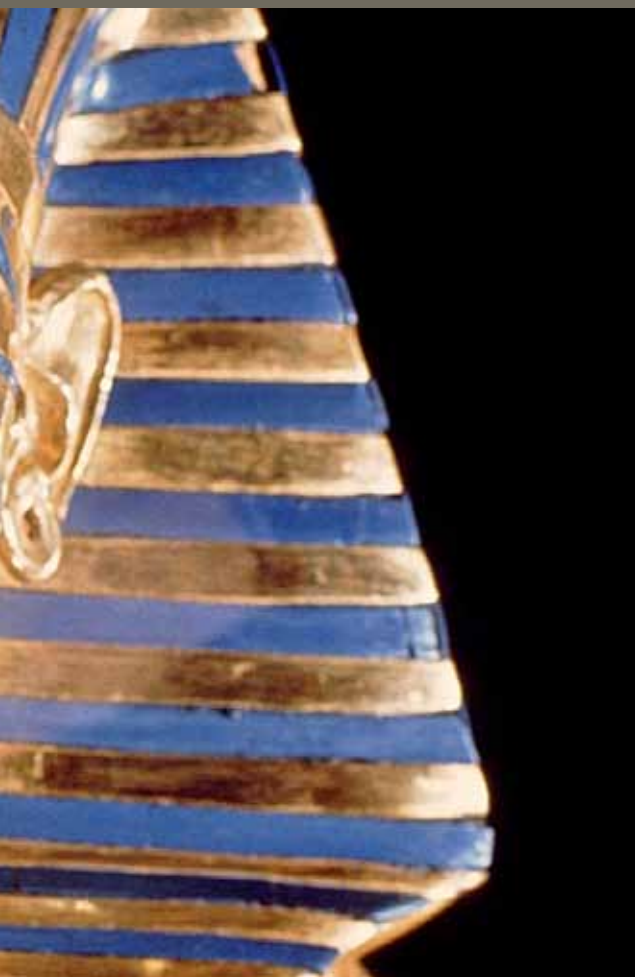
LIMITED EDITION

The mask of the Pharaoh Tutankhamon



FARAON

WALL LIGHT
WHITE



LIMITED EDITION

FARAON

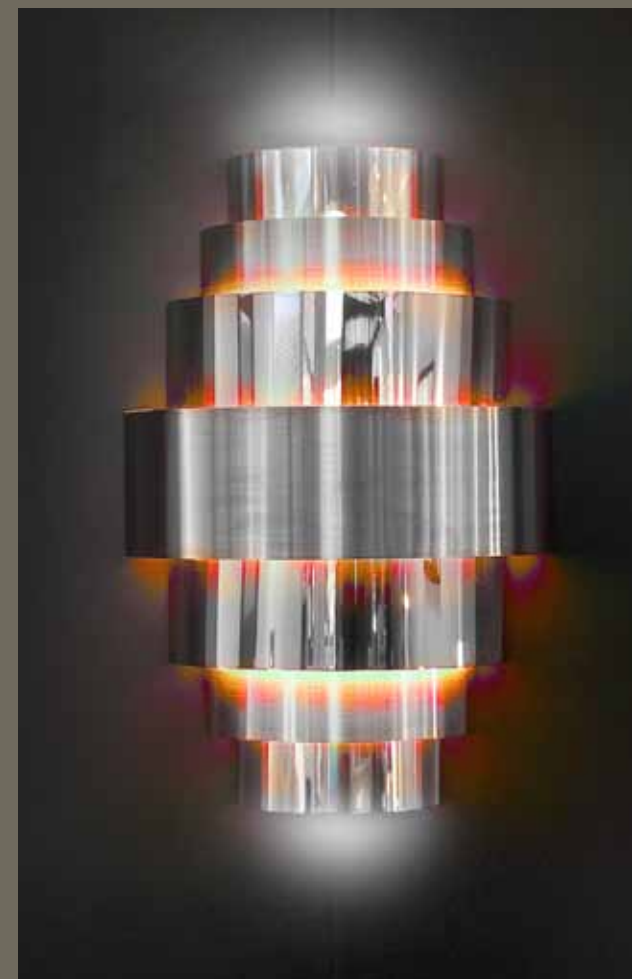
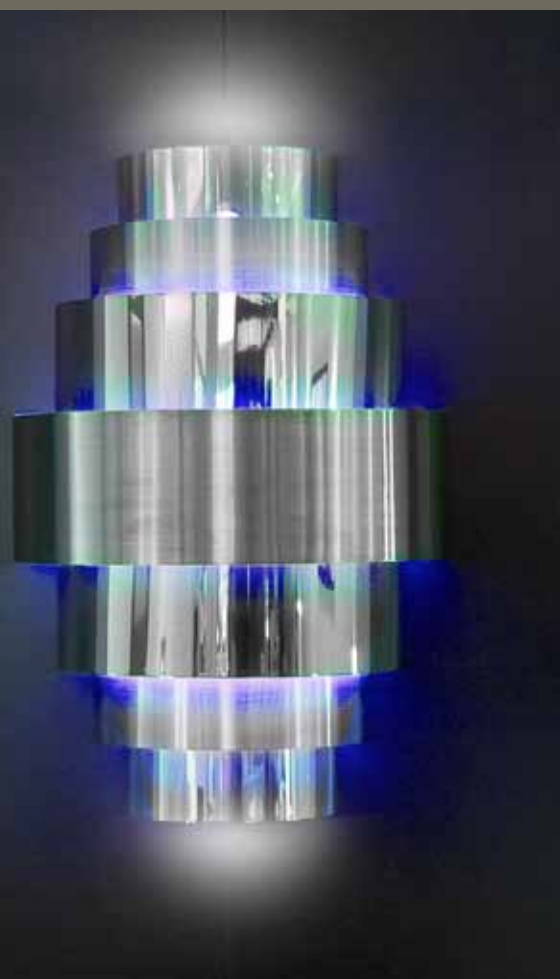
Decorative wall light with LED lighting system built with AISI 316L stainless steel calendered bands and, for an uniform lighting performance, equipped with diffusers made of acrylic material.



FARAON

MULTICOLOR WALL LIGHT

LIMITED EDITION

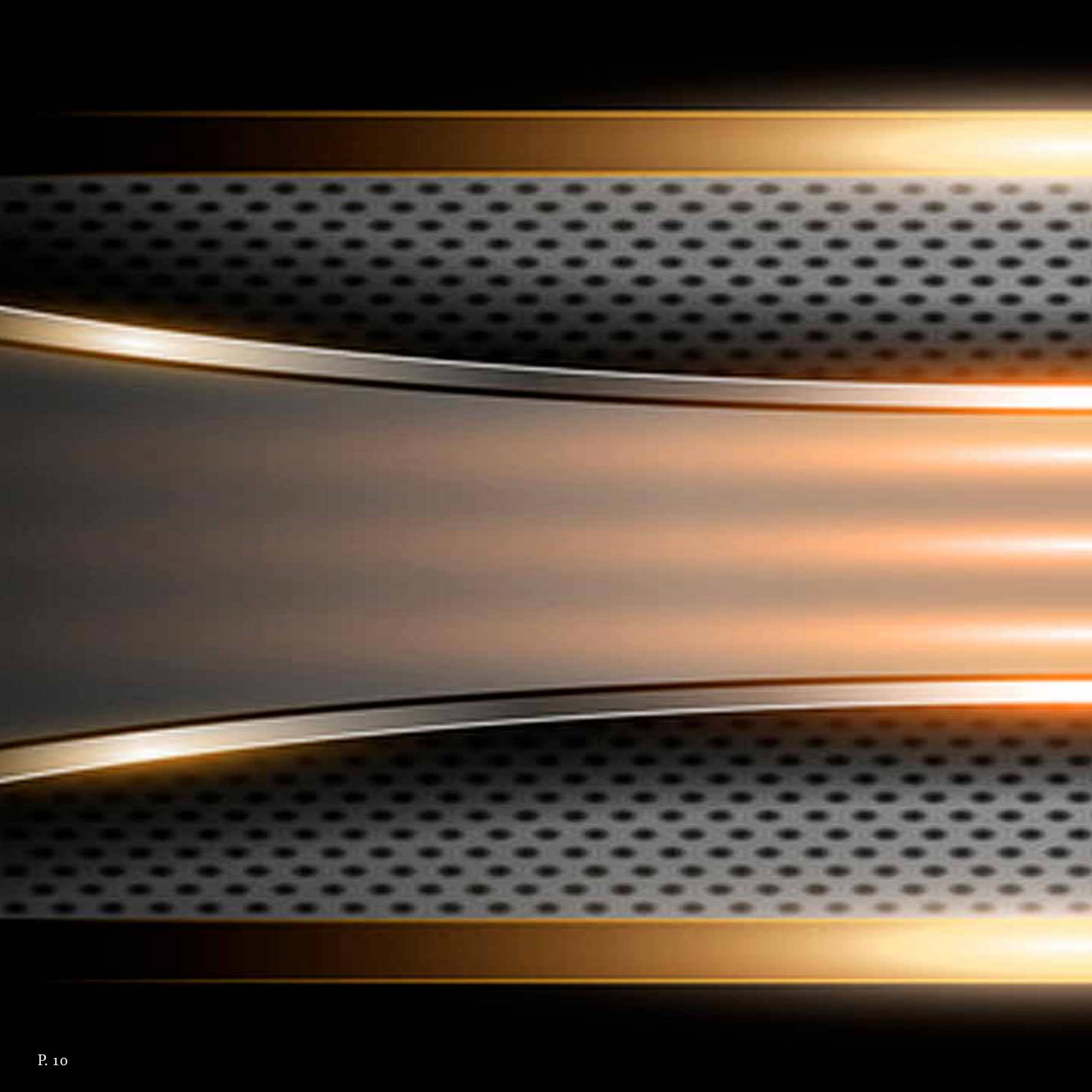


FARAON MULTICOLOR

Decorative wall light with LED lighting system built with AISI 316L stainless steel calendered bands and, for an uniform lighting performance, equipped with diffusers made of acrylic material. RGB model integrateable with all domotic systems.

Technical features pag. 42







LIGHTING IS EVERYTHING...
WITHOUT THAT, THEY'VE GOT NOTHING.

LIMITED EDITION

KIRA 100

DOWNLIGHT LED



*KIRA 100
Highly efficient die-casting recessed downlight
with gold or chrome finishing.*

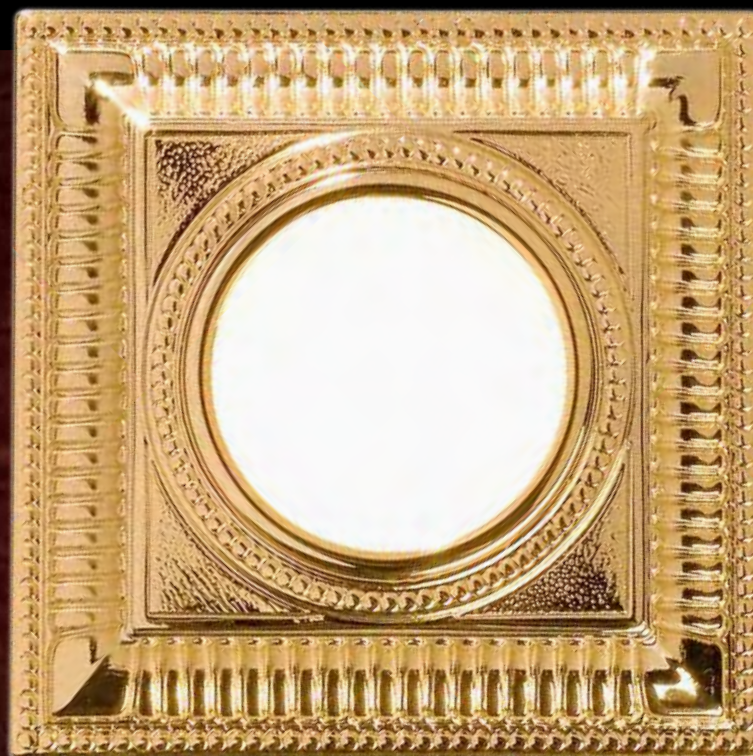
Technical features pag. 42



LIMITED EDITION

KLARA 100x100

DOWNLIGHT LED



*KLARA 100x100
Highly efficient die-casting recessed
downlight with gold or chrome finishing.*

Technical features pag. 42



LIMITED EDITION



ACOR 90

DOWNLIGHT LED



ACOR 90

Recessed downlight solidly constructed in AISI 316L stainless steel.

*Specially designed to harmonise with innovative architectural lines.
Light unit suitable for creating evocative ambient lighting.*

Technical features pag. 43



LIMITED EDITION

PICTOR 90

DOWNLIGHT LED



PICTOR 90

Recessed downlight solidly constructed in AISI 316L stainless steel.

*Specially designed to harmonise with innovative architectural lines.
Light unit suitable for creating evocative ambient lighting.*

Technical features pag. 43





GOOD ENOUGH
IS NEVER ENOUGH
WHEN THE TARGET
IS THE EXCELLENCE



LIMITED EDITION

OSLO

READING LIGHT
LED



OSLO

Solidly constructed adjustable reading light in solid brass with flexible stem finished in precious leather. Specially designed to harmonise with innovative architectural lines. Can be switched on and off using the touch command at the top of the light. Optic unit suitable for creating effect lighting.

Technical features pag. 44



LIMITED EDITION

MOSCA

READING LIGHT
LED



MOSCA

Solidly constructed adjustable reading light in brass with flexible stem finished in precious leather. Specially designed to harmonise with innovative architectural lines. Can be switched on and off using the touch command at the top of the light. Optic unit suitable for creating effect lighting.

Technical features pag. 44

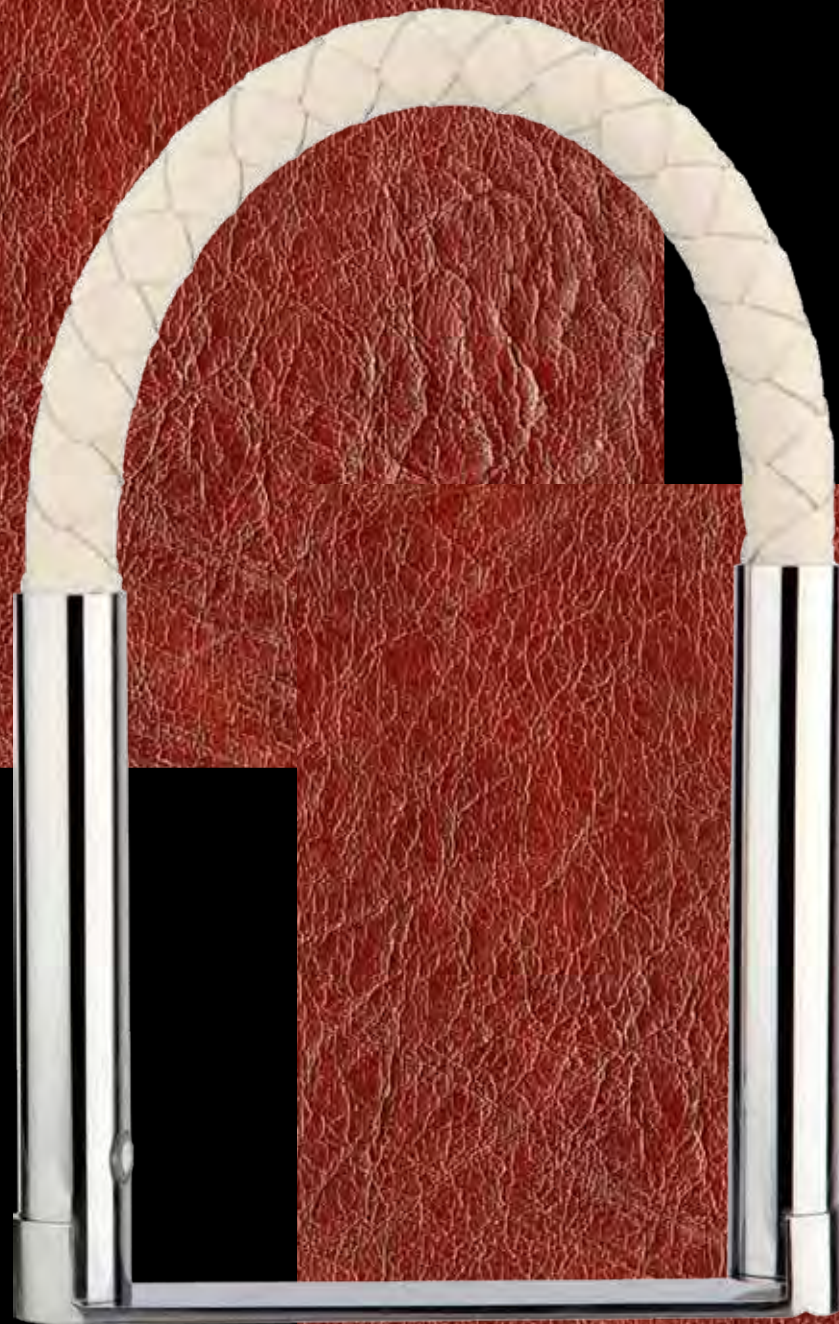


LIMITED EDITION



MONEY

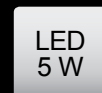
DOUBLE LAMP LED



MONEY

*Double function table & reading lamp with a refined design in chromed brass with flexible stem finished in precious leather and a touch system for switching on and off.
Fixing with through bolt.*

Technical features pag. 44



TAMOA

LIMITED EDITION

TABLE LAMP /
READING LIGHT
LED

TAMOA

Modernly designed reading as well as table lamp in chromed brass which can be switched on and off with a touch.

Fixing with through bolt.

Technical features pag. 45



MAYA

READING LIGHT LED

MAYA

Reading light with a refined design in chromed brass with flexible stem finished in precious leather and a touch system for switching on and off. Wall fixing.

Technical features pag. 45



LIMITED EDITION





THERE ARE TWO TYPES OF LIGHTS:
GLIMMER THAT LIGHTENS
AND GLARE THAT DAZZLES.

LIMITED EDITION

AURIGA BICOLOR

WALL LIGHT LED

AURIGA BICOLOR

Modernly designed wall light with a double light unit and a blue courtesy lighting which has a separate system for switching on and off. Solidly constructed in AISI 316L stainless steel for wall mounting.

Optic units suitable for creating luminous effects on every kind of walls and/or coverings.



Technical features pag. 46



LIMITED EDITION

VERSUS

WALL LIGHT LED

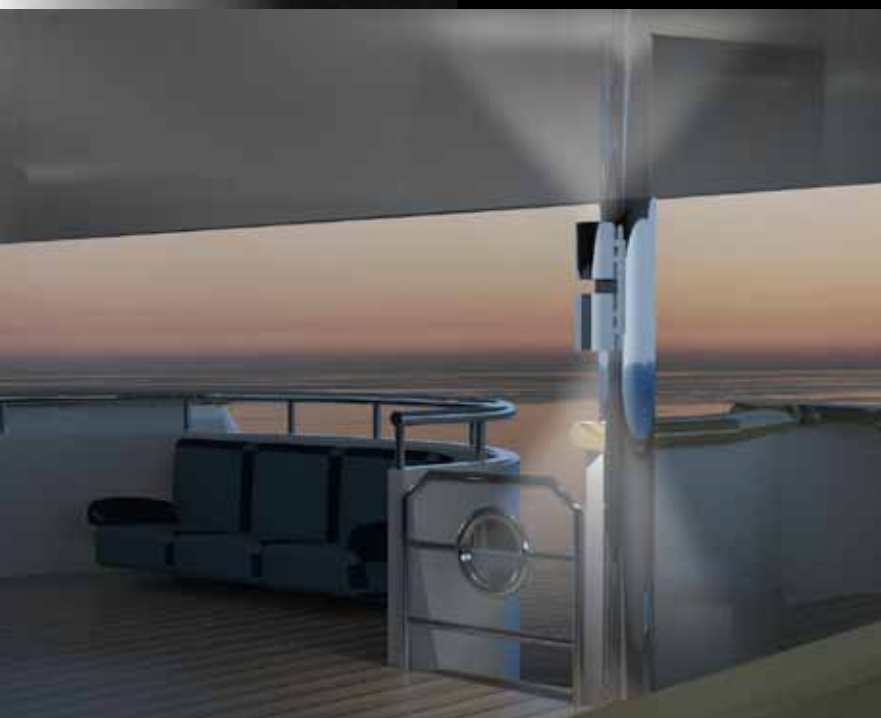


VERSUS / VERSUS D

Modernly designed wall lights with a single or double light unit. Solidly constructed in AISI 316L stainless steel for wall mounting. Optic units suitable for creating luminous effects on every kind of walls and/or coverings.

VERSUS D

WALL LIGHT LED



Technical features pag. 46



LED
2x13
W

3000K°

IP67

LIMITED EDITION

AURIGA

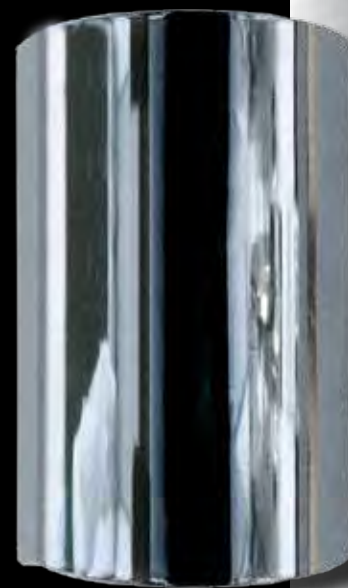
WALL LIGHT LED

AURIGA

Modernly designed wall light with a single light unit.

Solidly constructed in AISI 316L stainless steel for wall mounting.

Optic unit suitable for creating luminous effects on every kind of walls and/or coverings.



Technical features pag. 47



LIMITED EDITION

AURIGA D

WALL LIGHT LED

AURIGA D

Modernly designed wall light with a double light unit.

Solidly constructed in AISI 316L stainless steel for wall mounting.

Optic units suitable for creating luminous effects on every kind of walls and/or coverings.



Technical features pag. 47



LED
2X9 W

3000K°

IP67

LIMITED EDITION

LIKE

WALL LIGHT

LIKE

*Modernly designed wall light with a single light unit.
Solidly constructed in AISI 316L stainless steel for
wall mounting.
Optic unit suitable for creating luminous effects on
every kind of walls and/or coverings.*



Technical features pag. 48



LIMITED EDITION

LIKE _D

WALL LIGHT

LIKE D

*Modernly designed wall light with a double light unit.
Solidly constructed in AISI 316L stainless steel for wall
mounting.*

*Optic units suitable for creating luminous effects on
every kind of walls and/or coverings.*



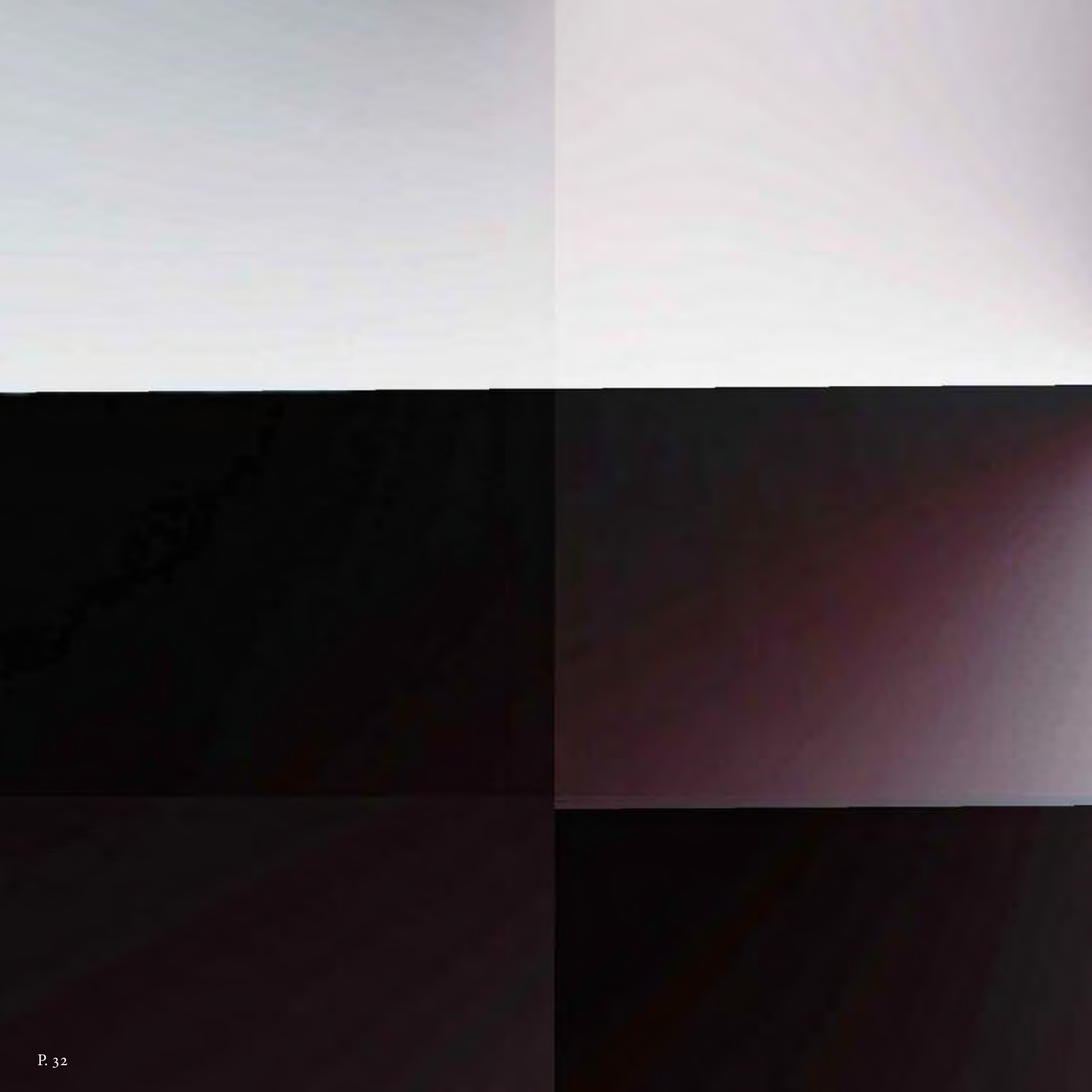
Technical features pag. 48



LED
2X9 W

3000K°

IP67



QUALITY IS NOT A COMPLETED PRODUCT
BUT A SUM OF FACTORS WHICH LEADS TO IT
AND SUPPORTS IT DURING ITS LIFE CYCLE.



LIMITED EDITION

MIZAR

WALL LIGHT LED

MIZAR

*Modernly designed flat wall light with a single light unit.
Solidly constructed in AISI 316L stainless steel for wall
mounting.*

*Optic unit suitable for creating luminous effects on every
kind of walls and/or coverings.*

Technical features pag. 49





LIMITED EDITION

RIGA

WALL LIGHT LED



RIGA

*Modernly designed wall light with a single light unit.
Solidly constructed in AISI 316L stainless steel for wall
mounting.*

*Linear-type lighting suitable for creating luminous effects
on every kind of walls and/or coverings.*



Technical features pag. 49



LIMITED EDITION

FAY

HANGING RAIL LIGHT
LED

FAY

Entirely made from AISI 316L stainless steel with a linear lighting system.

Designed for illuminating the interior of wardrobes and other fittings.



Technical features pag. 50



LIMITED EDITION

DEVRI

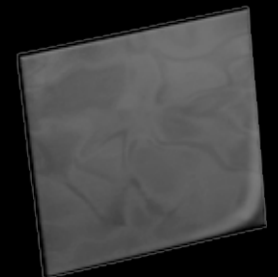
TOUCH-PLATE



SATIN



BRONZE



MATTE BLACK



GOLD

DEVRI

Modernly designed and elegant touch button to interface with relays and/or domotic systems.

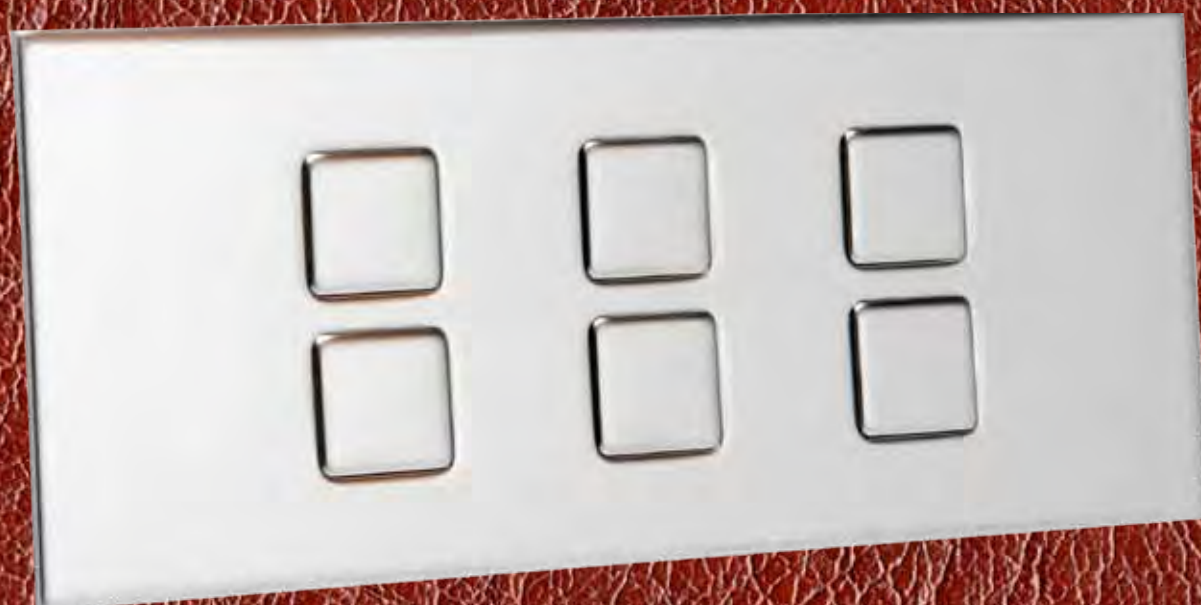
Technical features pag. 51



LIMITED EDITION

ANNAEVA

PUSH BUTTON

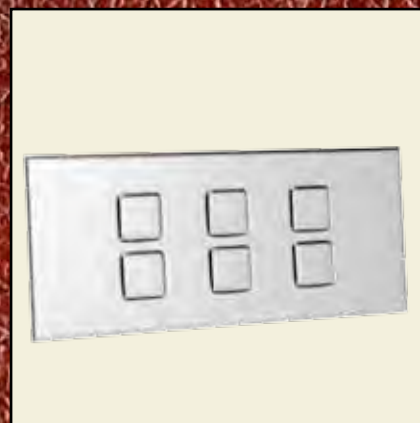


ANNAEVA

Modernly designed and elegant push buttons to interface with relays and/or domotic systems.

Available from one up to six push buttons depending on the chosen model.

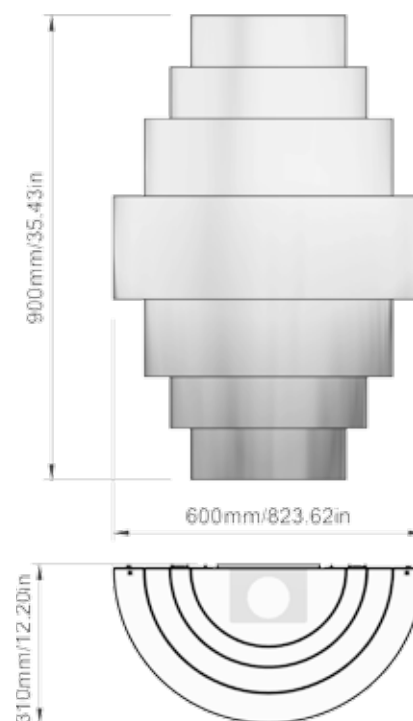
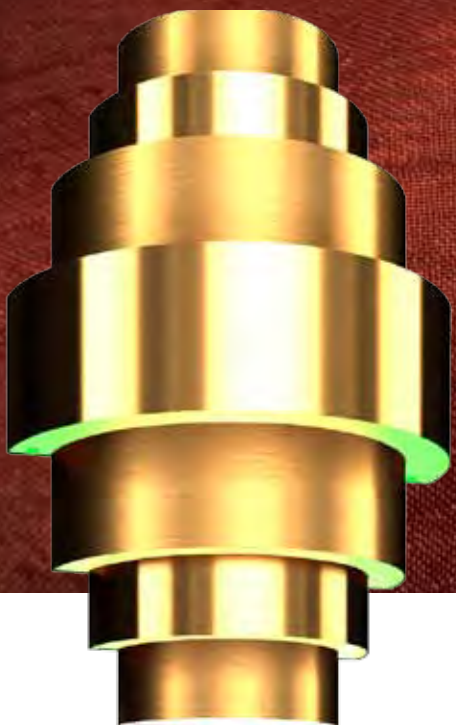
Technical features pag. 51



FARAON

WALL LIGHT
WHITE /
MULTICOLOUR

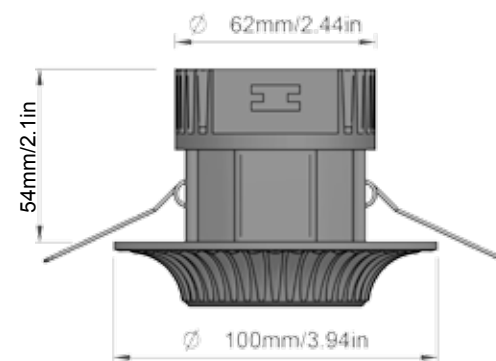
TECHNICAL FEATURES ON REQUEST



KIRA 100

DOWNLIGHT DIMMABLE LED

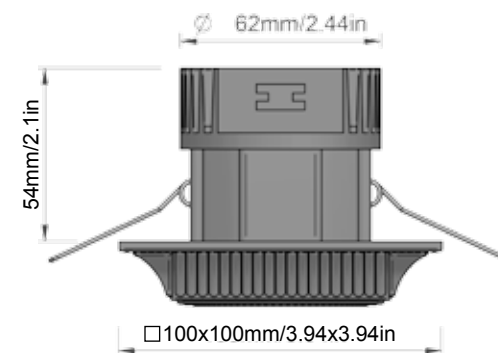
WATT: 9
LUMEN: 255
BEAM: 50°
CLL MODEL: 10 - 30 V DC
CSL MODEL: 110 - 240 V AC / Vf 18,6 - IF 500 mA Max (TRIAC)
CSL MODEL: DOMOTIC



KLARA 100x100

DOWNLIGHT DIMMABLE LED

WATT: 9
LUMEN: 255
BEAM: 50°
CLL MODEL: 10 - 30 V DC
CSL MODEL: 110 - 240 V AC / Vf 18,6 - IF 500 mA Max
CSL MODEL: DOMOTIC

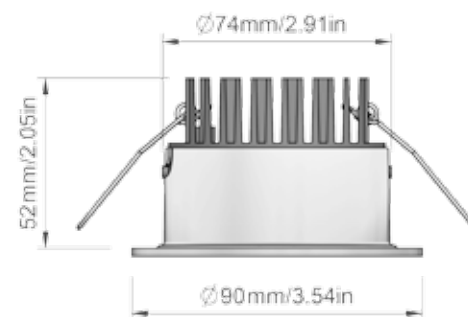




ACOR 90

DOWNLIGHT DIMMABLE LED

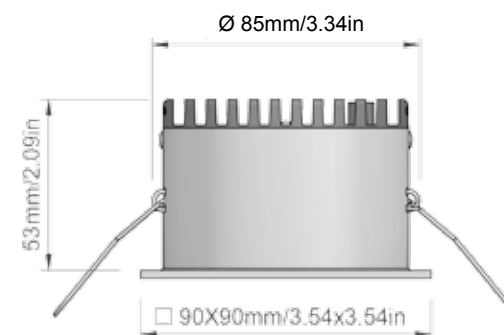
WATT: 9
LUMEN: 360
BEAM: 50°
CLL MODEL: 10 - 30 V DC
CSL MODEL: 110 - 240 V AC / Vf 18,6 - IF 500 mA Max
CSL MODEL: DOMOTIC



PICTOR 90

DOWNLIGHT DIMMABLE LED

WATT: 9
LUMEN: 310
BEAM: 45°
CLL MODEL: 10 - 30 V DC
CSL MODEL: 110 - 240 V AC / Vf 18,6 - IF 500 mA Max
CSL MODEL: DOMOTIC

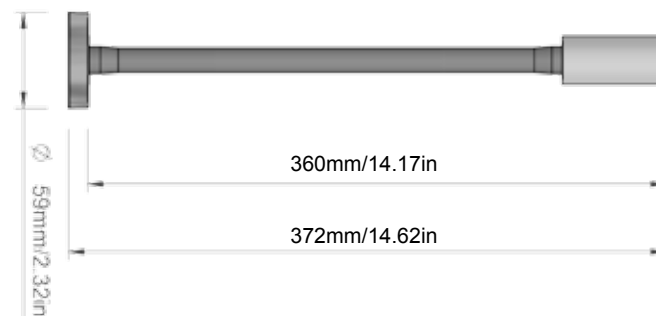




OSLO

READING LIGHT LED

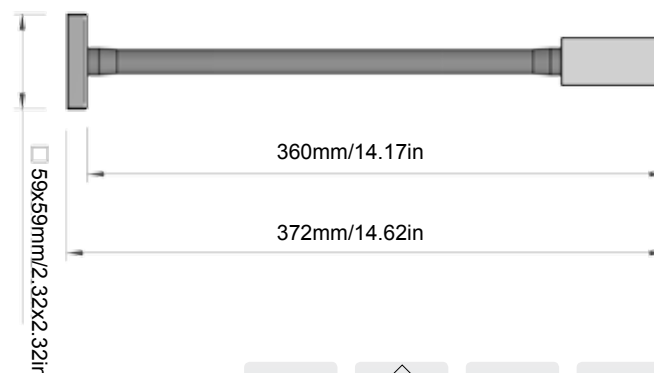
WATT: 3
LUMEN: 80
CLL MODEL: 10 - 30 V AC/DC



MOSCA

READING LIGHT LED

WATT: 3
LUMEN: 80
CLL MODEL: 10 - 30 V AC/DC



MONEY

DOUBLE LAMP LED

WATT: 5
LUMEN: 95
CLL MODEL: 24 V DC

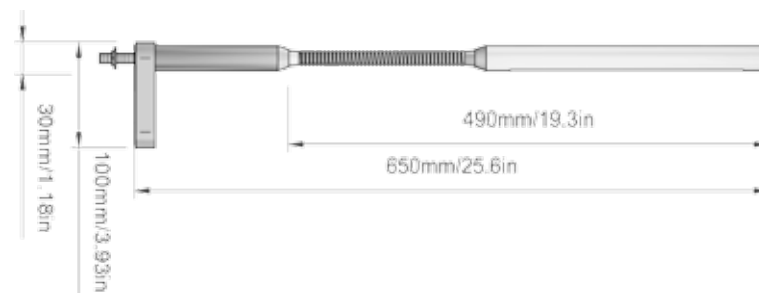




TAMOA

TABLE LAMP /
READING LIGHT LED

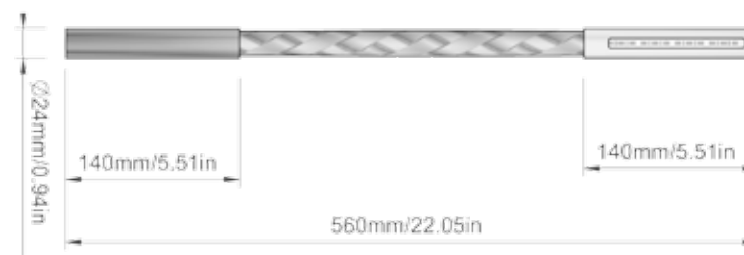
WATT: 7
LUMEN: 100
CLL MODEL: 24 V DC



MAYA

READING LIGHT LED

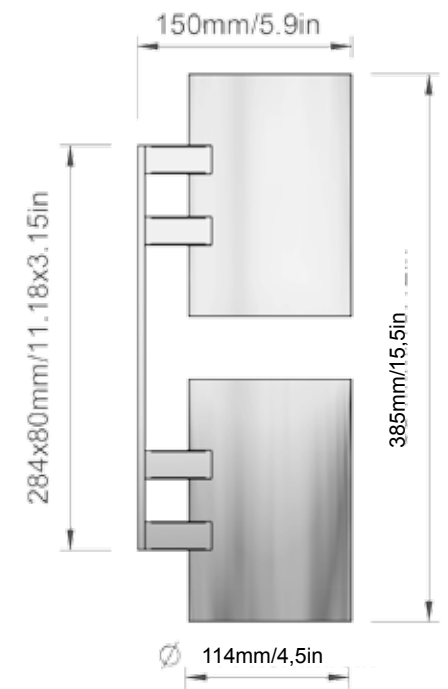
WATT: 5
LUMEN: 95
CLL MODEL: 24 V DC



VERSUS D

WALL LIGHT DIMMABLE LED

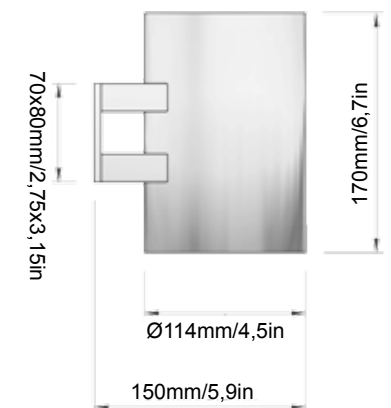
WATT: 2X13
LUMEN: 2X490
BEAM: 55°
CLL MODEL: 24 V DC
CSL MODEL: 110 - 240 V AC / Vf 18,6 - IF 2x700 mA Max (TRIAC)
CSL MODEL: DOMOTIC



VERSUS

WALL LIGHT DIMMABLE LED

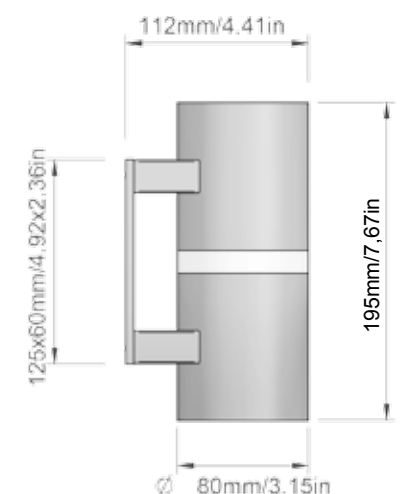
WATT: 13
LUMEN: 490
BEAM: 55°
CLL MODEL: 24 V DC
CSL MODEL: 110 - 240 V AC / Vf 18,6 - IF 700 mA Max (TRIAC)
CSL MODEL: DOMOTIC



AURIGA BICOLOR

WALL LIGHT DIMMABLE LED

WATT: 2X9 + BLUE 2W
LUMEN: 2X310
BEAM: 75
CLL MODEL: 24 V DC
CSL MODEL: 110 - 240 V AC / Vf 18,6 - IF 500 mA Max+COLOR 24 V DC
CSL MODEL: DOMOTIC

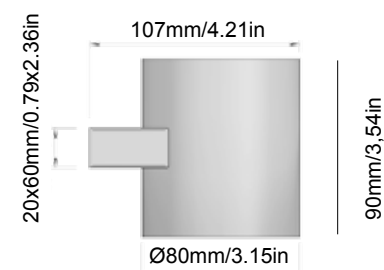




AURIGA

WALL LIGHT DIMMABLE LED

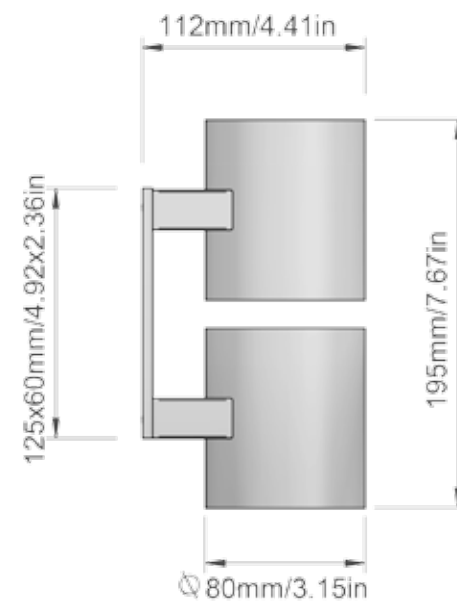
WATT: 9,5
LUMEN: 310
BEAM: 75°
CLL MODEL: 24 V DC
CSL MODEL: 110 - 240 V AC / Vf 18,6 - IF 500 mA Max
CSL MODEL: DOMOTIC



AURIGA D

WALL LIGHT DIMMABLE LED

WATT: 2X9,5
LUMEN: 2X310
BEAM: 75°
CLL MODEL: 24 V DC
CSL MODEL: 110 - 240 V AC / Vf 18,6 - IF 500 mA Max
CSL MODEL: DOMOTIC

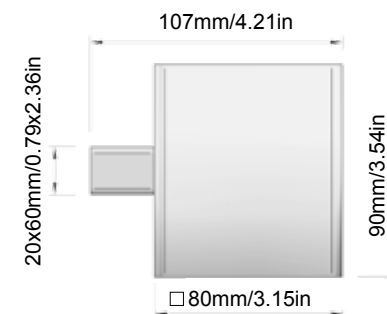




LIKE

WALL LIGHT DIMMABLE LED

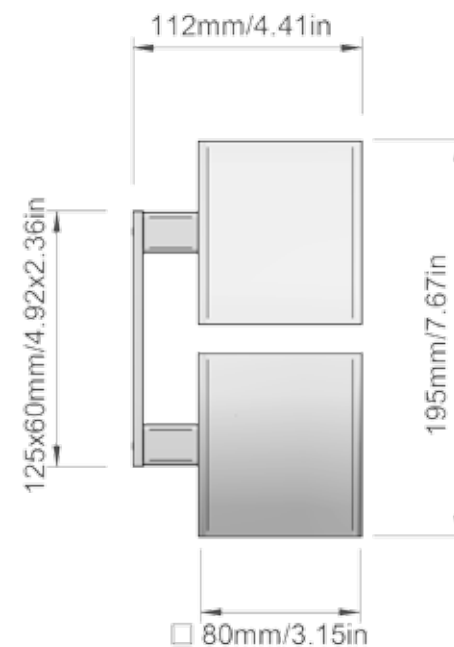
WATT: 9
LUMEN: 280
BEAM: 50°
CLL MODEL: 24 V DC
CSL MODEL: 24 V DC / Vf 18,6 - IF 500 mA Max
CSL MODEL: DOMOTIC



LIKE D

WALL LIGHT DIMMABLE LED

WATT: 2x9,5
LUMEN: 2x280
BEAM: 50°
CLL MODEL: 24 V DC
CSL MODEL: 24 V DC / Vf 18,6 - IF 500 mA Max
CSL MODEL: DOMOTIC





MIZAR

WALL LIGHT DIMMABLE LED

WATT: 7

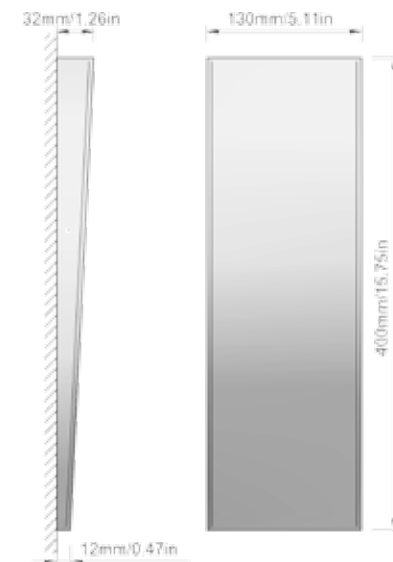
LUMEN: 215

BEAM: 60°

CLL MODEL: 24 V DC

CSL MODEL: 110 - 240 V AC / Vf 18,6 - IF 500 mA Max

CSL MODEL: DOMOTIC 1/10 V DALI DMX MOD BUS



RIGA

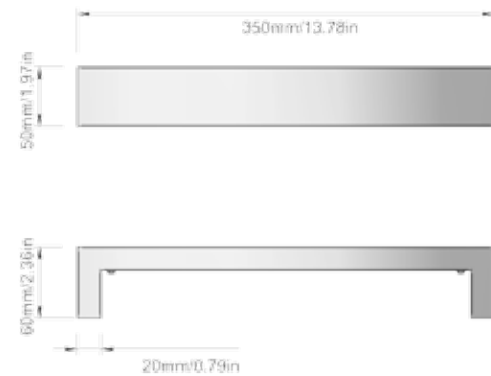
WALL LIGHT DIMMABLE LED

WATT: 7

CLL MODEL: 24 V DC

CSL MODEL: 110 - 240 V AC / Vf 18,6 - IF 500 mA Max

CSL MODEL: DOMOTIC





FAY 1650

HANGING RAIL LIGHT LED

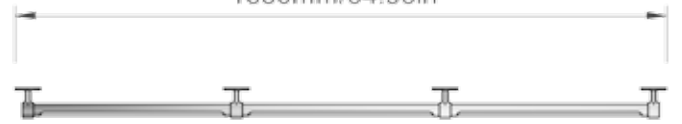
WATT: 21
LUMEN: 280
CLL MODEL: 24 V DC
CLL MODEL: 110/240 V AC
WITH POWER SUPPLY



LIGHT 468mm/18.43in



1650mm/64.96in



1615mm/63.58in

76mm/2.99in



FAY 1050

HANGING RAIL LIGHT LED

WATT: 14
LUMEN: 230
CLL MODEL: 24 V DC
CLL MODEL: 110/240 V AC
WITH POWER SUPPLY



LIGHT 433mm/17.05in



1050mm/41.34in



1015mm/39.96in

76mm/2.99in



FAY 533

HANGING RAIL LIGHT LED

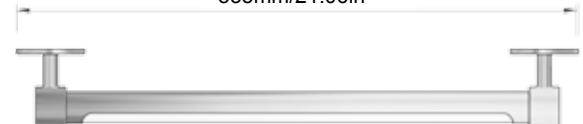
WATT: 7
LUMEN: 110
CLL MODEL: 24 V DC
CLL MODEL: 110/240 V AC
WITH POWER SUPPLY



LIGHT 408mm/16.06in



535mm/21.06in



500mm/19.68in

76mm/2.99in



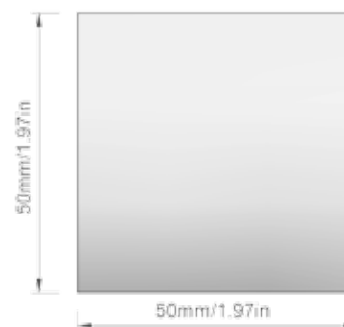
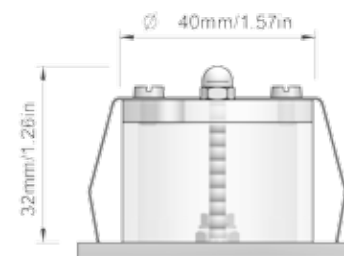
DEVRI

TOUCH-PLATE

The Touch-button DEVRI has been engineered for the control of low voltage small loads such as relays, interfaces, dimmers, etc.. via normally opened contacts with momentary action.
Other technical features on request.

Voltage: From 10 to 30Vdc

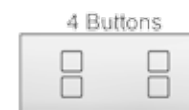
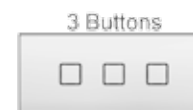
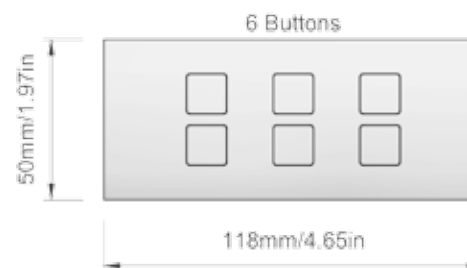
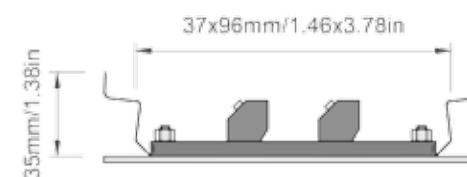
Absorption: <10mA(Relay OFF)



ANNAEVA

PUSH BUTTONS

The Annaeva has been designed for the control of low voltage small loads such as relays, interfaces, dimmers, etc.. via normally opened push-buttons with momentary action. Available from one up to six push buttons, with SEPARATE connection, depending on the chosen model.
Other technical features on request.



CERTIFICAZIONI E ASSOCIAZIONI

CERTIFICATIONS AND ASSOCIATIONS



UNI EN ISO 9001 VISION 2008 CERTIFIED BY ABS/QE (CERTIFICATE N° 38045)

La ISO 9001:2008 garantisce che dalla progettazione dei prodotti fino alla loro consegna, tutti i processi aziendali operino in modo costante tramite procedure ben definite finalizzate alla qualità del servizio e alla soddisfazione del cliente. Tutti i processi aziendali sono sottoposti ad una verifica periodica da parte dell'Ente Certificatore American Bureau of Shipping - Quality Evaluations con rilascio della relativa certificazione. Il Sistema di Gestione Qualità della Cantalupi Lighting® è certificato UNI-EN ISO 9001:2008 (Certificato n. 38045).

ISO 9001:2008 guarantees that from the design phase to delivery of products, all company processes operate in a constant way through well defined procedures finalised at the quality of service and the satisfaction of the client. All processes undergo regular verification by the Certifying Body American Bureau of Shipping - Quality Evaluations with the release of the relative certification. Cantalupi Lighting®'s Quality Management System is certified UNI - EN ISO 9001:2008 (Certificate n. 38045).



EUROPEAN COMMUNITYMARK

Tutti i prodotti Cantalupi® sono a marchio CE che garantisce ai consumatori che il prodotto è stato progettato e costruito seguendo precise direttive tecniche Bassa Tensione (2006/95/CE) e Compatibilità Elettromagnetica (CEE 89/336) finalizzate alla sicurezza d'uso del prodotto.

All the Cantalupi® products are CE marked. This guarantees customers that the product has been designed and manufactured following precise technical directives for Low Current Appliances (2006/95/CE) and Electromagnetic Compatibility (CEE 89/336) finalised at the secure use of products.



RESTRICTION OF HAZARDOUS SUBSTANCES DIRECTIVE

La Direttiva RoHS 2002/95/CE (RoHS) - chiamata direttiva "Pb-free", tutela il consumatore garantendo che tutti i prodotti Cantalupi® non contengano le seguenti sostanze tossiche: Piombo, Mercurio, Cadmio, Cromo esavalente (Cromo VI o Cr6+), Bifenili polibromurati (PBB), Etere di difenile polibromurato (PBDE).

The RoHS 2002/95/CE Directive - often referred to as the "Pbfree" directive, safeguards the consumer guaranteeing that all Cantalupi®'s products don't contain the following toxic substances: Lead, Mercury, Cadmium, hexavalent Chrome (Chrome VI or Cr6+), Polybrominated biphenyls (PBB), Polybrominated diphenyl ether (PBDE).



MEMBER OF THE ITALIAN MARINE INDUSTRY ASSOCIATION

UCINA, l'Unione Nazionale dei Cantieri e delle Industrie Nautiche e Affini è l'associazione che ha come obiettivo primario lo sviluppo, ricerca e la promozione dell'industria nautica in Italia ed all'estero.

UCINA (Italian Marine Industry Association) is the Italian association that has as its primary objectives the development, research and the promotion of the marine industry home and abroad.



MEMBER OF NATIONAL MARINE MANUFACTURERS ASSOCIATION

National Marine Manufacturers Association (NMMA) è l'associazione Nord Americana che ha come obiettivo primario lo sviluppo e la promozione dell'industria nautica in USA.

National Marine Manufacturers Association (NMMA) is the North American association that has as its primary objectives the development and the promotion of the US marine industry.



MEMBER OF THE AMERICAN CHAMBER OF COMMERCE IN ITALY

American Chamber of Commerce in Italy (AmCham), ha lo scopo di sviluppare e favorire le relazioni economiche tra gli Stati Uniti d'America e l'Italia e di promuovere e tutelare gli interessi dei propri associati nell'ambito dell'attività di business tra i due Paesi.

American Chamber of Commerce in Italy (AmCham), has as its scope the development and facilitation of the economic relations between the United States of America and Italy and to promote and safeguard the interests of its associated members in business relations between the two countries.



La Direttiva 2002/96/CE RAEE - Raccolta di Apparecchiature Elettriche ed Elettroniche - regola la raccolta ed il trattamento dei rifiuti di apparecchiature elettriche ed elettroniche, nel pieno rispetto di tutte le normative vigenti in materia ambientale. Il simbolo del bidone barrato inserito nello specifico foglio di istruzioni negli articoli soggetti alla direttiva RAEE indica che il prodotto a fine vita è raccolto separatamente dagli altri rifiuti e conferito presso centri di raccolta autorizzati, nei casi e modi previsti dalle leggi nazionali dei paesi dell'UE, per evitare effetti negativi sull'ambiente e sulla salute umana. Cantalupi Lighting® S.r.l., per i prodotti raccolti e trattati nel territorio italiano, aderisce al consorzio Ecolight.

The WEEE 2002/96/CE Directive - Waste of Electrical & Electronic Equipments - states the norms of product disposal at the end of its life cycle. The crossed waste bin symbol indicates that in order to prevent any negative effects on the environment and on people, products included in the WEEE Directive should be disposed of separately from other household waste, by taking them to authorised collection centres, in accordance with the EU countries local waste disposal legislations. Cantalupi Lighting® S.r.l., for product disposed in the Italian territory, joins the Ecolight consortium.

DEFINIZIONI DELLE CLASSIFICAZIONI CLASSIFICATION DEFINITIONS

IP

La “protezione assicurata” offerta dall'apparecchio alla penetrazione di solidi e liquidi viene indicata dal prefisso IP (International Protection) seguita da due cifre significative, di cui la prima indica il grado di protezione contro l'ingresso di corpi solidi estranei e la seconda dei liquidi.

- IP 20: (2) protezione contro l'ingresso di corpi solidi di dimensioni superiori a 12mm e (0) nessuna protezione contro l'ingresso di liquidi.
- IP 40: (4) protezione contro l'ingresso di corpi solidi di dimensioni superiori a 1mm e (0) nessuna protezione contro l'ingresso di liquidi.
- IP 55: (5) protezione contro la polvere e (5) protezione contro i getti d'acqua provenienti da tutte le direzioni.
- IP 65: (6) protezione totale contro la polvere e (5) protezione contro i getti d'acqua provenienti da tutte le direzioni.

N.B.: La protezione si riferisce solo alla parte non incassata e correttamente montata.

- IP 67: (6) protezione totale contro la polvere e (7) protezione contro l'immersione temporanea in acqua.
- IP 68: (6) protezione totale contro la polvere e (8) protezione contro l'immersione continua in acqua.

The “guaranteed protection” offered by the fixture to the penetration of solids and liquids is indicated by the prefix IP (International Protection) followed by two numbers, the first number identifying the degree of protection against the entrance of solids and the second of liquids.

- IP 20: (2) Protected against penetration of solids larger than 12mm and (0) not protected against liquids.
- IP 40: (4) Protected against penetration of solids larger than 1mm and (0) not protected against liquids.
- IP 55: (5) Protected against dust and (5) protected against jets of water from any direction.

N.B.: Protection concerns non recessed components only correctly mounted.

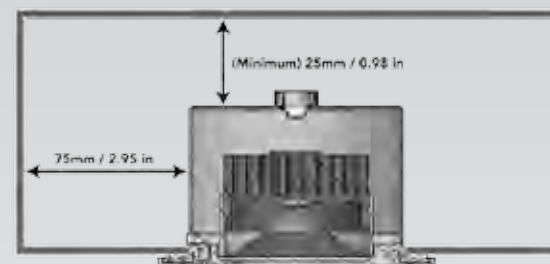
- IIP 65: (6) Completely protected against dust and (5) protected against jets of water from any direction.
- IIP 67: (6) Completely protected against dust and (5) protected against jets of water from any direction.
- IP 68: (6) Completely protected against dust and (8) protected against continuous immersion.



Indica che l'apparecchio è idoneo al montaggio su superfici “normalmente infiammabili”.
Indicates that the device is suitable for installing on “normally inflammable” surfaces.



Indica che l'apparecchio è idoneo al montaggio su superfici “non infiammabili”.
Indicates that the device is suitable for installing on “non inflammable” surfaces.



Indica che nell'apparecchio la protezione contro la scossa elettrica si basa sull'alimentazione a bassissima tensione di sicurezza (50V max). Non collegare mai a terra.
Indicates that the device is electrical shock protected at very low voltage (50V max.). Do not connect to earth.



Indica che nell'apparecchio la protezione contro la scossa elettrica non si basa unicamente sull'isolamento principale, ma anche su una misura di sicurezza supplementare costituita dalla connessione delle parti conduttrici accessibili ad un conduttore di protezione (messa a terra).
Indicates that in the device the protection against electric shock does not rely on basic insulation only, but which includes an additional safety precaution in such a way that means are provided for the connection of accessible conductive parts to the protective (earthing) conductor.

NORMATIVA RISCHIO FOTOBIOLOGICO EN62471 per prodotti a LED :

Gruppo 0 = Esente
Gruppo 1 = Basso Rischio

EN62471 PHOTOBIOLOGICAL RISK STANDARD for LED products :

Group 0 = Immune
Group 1 = Low Risk

I NOSTRI PRODOTTI A LED RISPONDONO ALLE SUDETTE NORME.

OUR LED PRODUCTS MEET THESE STANDARDS.

Vi invitiamo a consultare i nostri cataloghi.
We kindly invite you to look our catalogues.



MASTERLINE 2013

Prodotti Illuminotecnici.

Lighting Products.



OTTO

Lampade da

Tavolo Portatili & Fisse.

Portable & Fixed

Table Lamps.



SEALED

Lampade Subacquee.

Underwater Lights.

CERCHI UN DISTRIBUTORE INTERNAZIONALE?

Scopriilo su WWW.CANTALUPILIGHTING.IT

ARE YOU LOOKING FOR AN INTERNATIONAL DISTRIBUTOR?

Find it on WWW.CANTALUPILIGHTING.IT





Cantalupi Lighting srl
via Fosso Legnami, 217
55040 Piano di Mommio (LU)
ITALY
Tel. +39 0584 42791
Fax +39 0584 427999
www.cantalupilighting.it



Cantalupi USA, Inc.
618 Druid Road, East
Clearwater, FL 33756
USA
Phone +1 (727) 462 2526
Fax +1 (727) 462 2536
www.cantalupiusa.com